

High Performance 72 Cell Mono crystalline 125x125mm Solar Photovoltaic Module

Model Number: CNPV-180M to CNPV-205M / Power Range : 180Wp to 205Wp

Typical Electrical Characteristics

Model Number	UOM	Standard PV Modules			Premium PV Modules		
		CNPV-180M	CNPV-185M	CNPV-190M	CNPV-195M	CNPV-200M	CNPV-205M
Rated Maximum Power-Pmax	Wp	180	185	190	195	200	205
Power Tolerance	%	0/+3	0/+3	0/+3	0/+3	0/+3	0/+3
Maximum Power Voltage-Vmp	V	37.2	37.8	37.8	37.9	38.0	38.1
Maximum Power Current-Imp	A	4.85	4.90	5.05	5.15	5.25	5.38
Open Circuit Voltage-Voc	V	44.6	45.0	45.1	45.2	45.3	45.4
Short Circuit Current-Isc	A	5.35	5.40	5.55	5.60	5.65	5.70
Maximum System Voltage-VDC	V	1000					
Encapsulated Solar Cell Efficiency-ηc	%	16.1	16.6	17.0	17.5	17.9	18.4
Module Efficiency-ηm	%	14.1	14.5	14.9	15.2	15.6	16.0
Solar Cell and Configuration		72 cells (125mm×125mm/5"×5") in a 6x12 matrix connected in series					
Solar Cell Technology & Size	mm	Mono Crystalline 125×125mm(5"×5")					
Cable Type,Diameter		4mm ² (12AWG),TÜV certified					
Type of Connector		IP67,Type IV					
Junction Box		IP65,1000VDC, TÜV&UL Certified					
Number of Bypass Diodes & Type		3 Nos, Schottky By-pass diodes					
Maximum Series Fuse Rating	A	10					
Temperature coefficient of Power	%/°C	- 0.40%/°C(-0.22%/°F)					
Temperature coefficient of Voc	%/°C	- 0.30%/°C(-0.17%/°F)					
Temperature coefficient of Isc	%/°C	0.05%/°C(0.028%/°F)					
Nominal Operating Cell Temperature-NOCT	°C	45± 2°C(113±3.6°F)					
Standard Test Conditions	STC	STC:AM=1.5, 1000W/m ² , Cells Temperature 25°C(77°F)					
Operating Temperature	°C	-40~+85°C(-40~+185°F)					
Product Certifications		IEC61215, IEC61730, UL1703&CE					

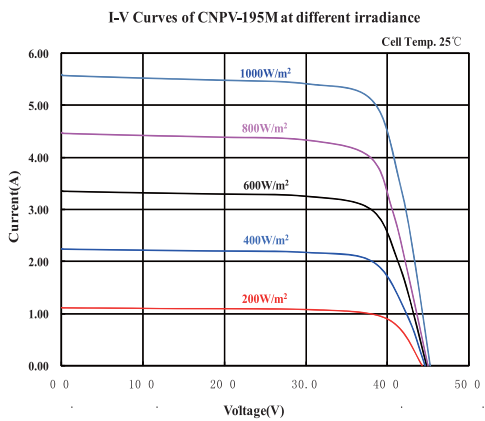
Mechanical & Packaging Characteristics

Dimensions A×B×C		1581×809×40mm(62.24"×31.85"×1.57")
Installation Hole Dimensions E×F		948×754mm(37.32"×29.69")
Cable Length G		900mm(35.43")
Weight	Kg	15Kg(33lb)
Number of Draining Holes in Frame		12
Construction		Superstrate:High transmission 3.2mm tempered low iron glass; Substrate:White Back Sheet; Encapsulant: Fast Cure EVA
Frame		Clear anodized aluminium alloy type 6063T5; Color:silver
Packing Configuration and Quantity per Pallet		24 pcs per carton and one carton per pallet
Container Loading Capacity		672 pcs per 40 ft cubic container;288 pcs per 20 ft cubic container

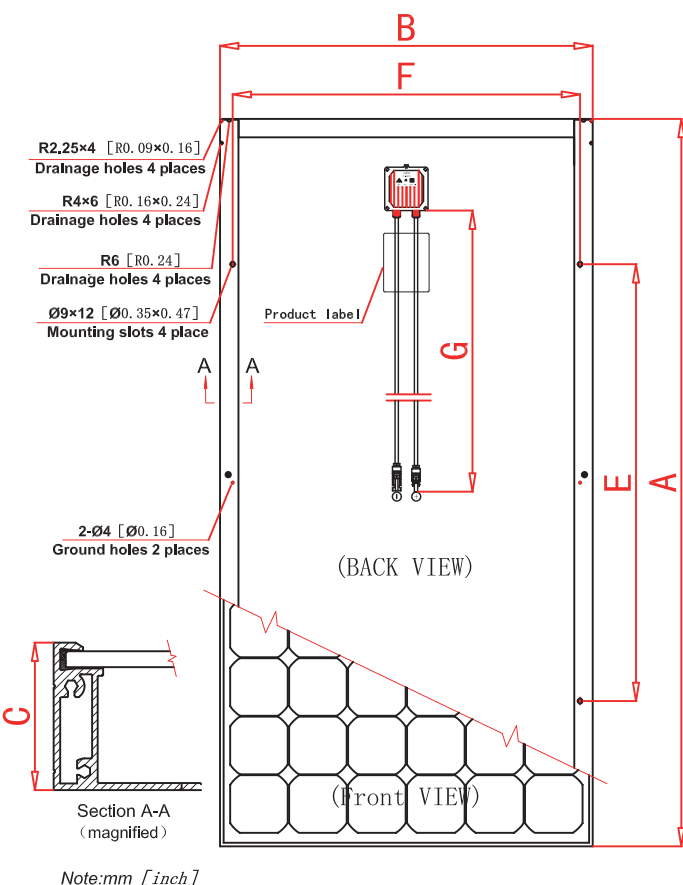


High Performance Mono Crystalline SPV Module

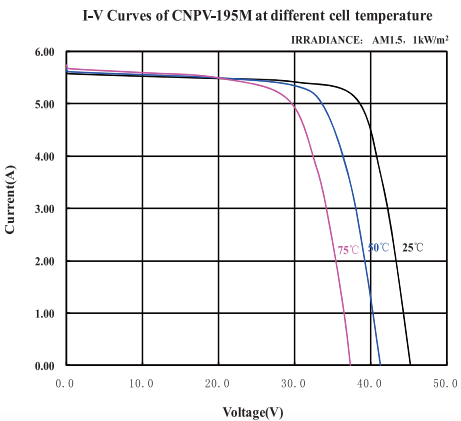
I-V Characteristics at Different Irradiance



Dimensional Characteristics



I-V Characteristics at Different Temperature



Note: This publication summarizes product warranty and specifications, which are subject to change without notice. Additional information may be found on our website: www.cnpv-power.com

SALIENT FEATURE CERTIFICATIONS

3% Positive Tolerance	ARC Glass	78% Fill Factor	Triple Busbar	Larger Diameter
Cell & Module Matching	Smart Junction Box	100% Electro Luminescence	Unique Frame	Mechanical Strength-8000 Pa
International Bankability	Degradation Resistance	10 years Workmanship Warranty	25 years True Linear Warranty	

UL US LISTED	CE	IEC	ISO9001 ISO14001 OHSAS18001	P ICIM
TÜV Rheinland	APPROVED PRODUCT	MCS	Clean Energy Council LISTED	New & Renewable Energy